

LED MIRROR INSTALLATION

EURO
MIRROR
by **RADIANT**

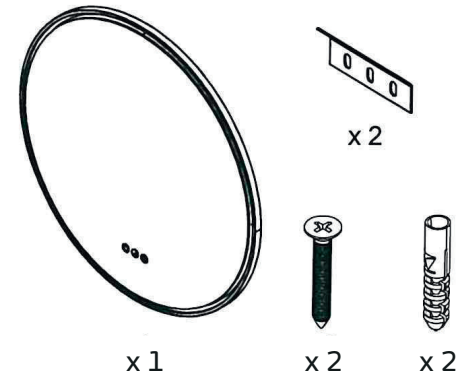


IMPORTANT

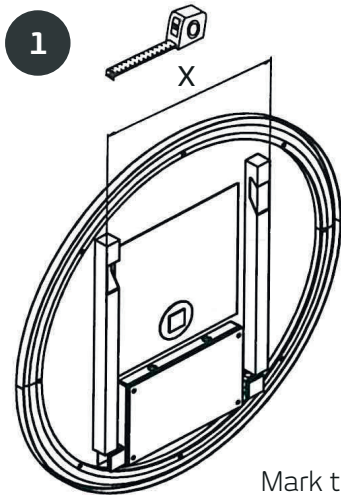
- Always switch off power to the circuit before installation.
- Installation must be in accordance with the current AS/NZS wiring regulations and must be completed by a licensed electrician

COMPONENTS

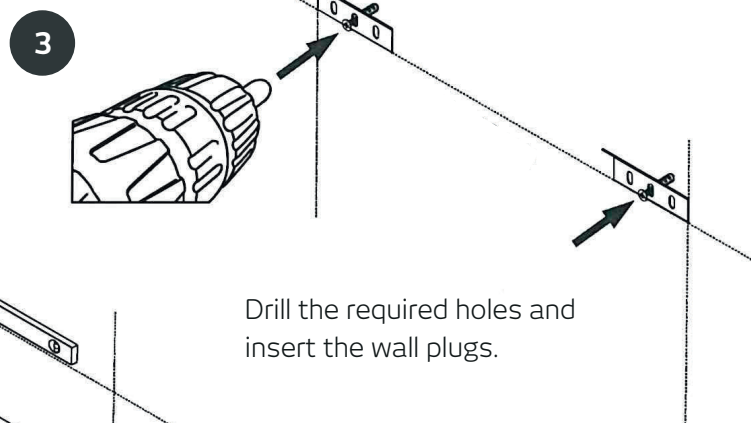
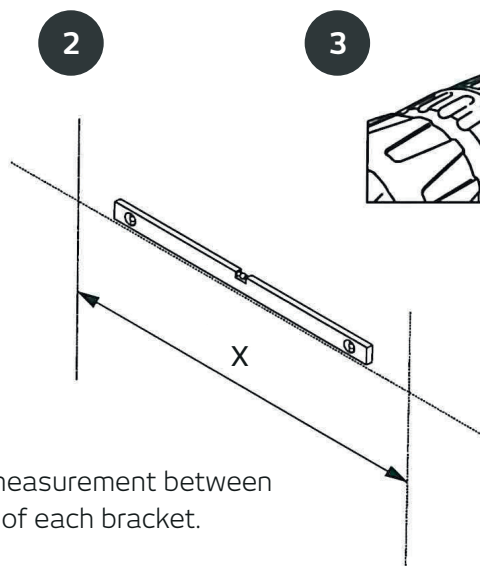
- The wall plugs supplied are only suitable for solid stone/brick walls. Please ensure the screws are fully tight.



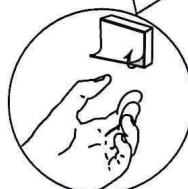
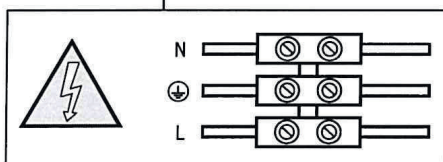
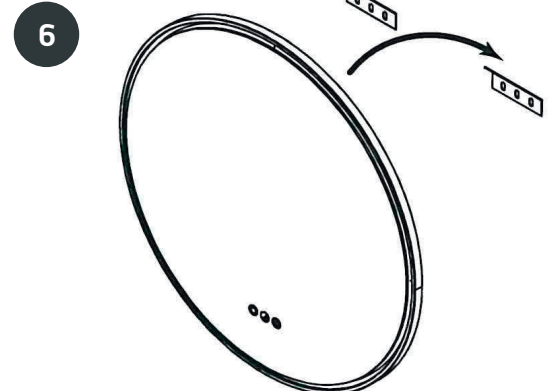
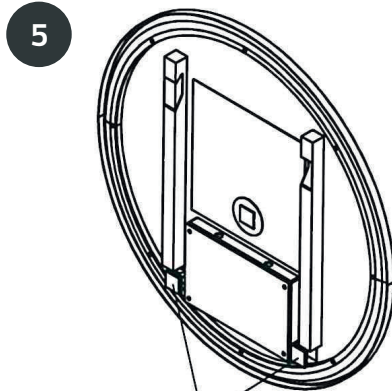
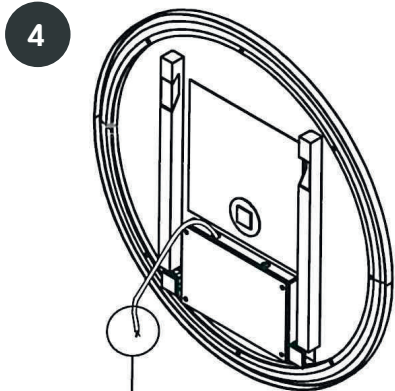
INSTALLATION PROCEDURE



Mark the measurement between the centre of each bracket.



Drill the required holes and insert the wall plugs.



Ensure the electrical supply has been turned off before making the electrical connections. Hang the mirror onto the wall.



OPERATING INSTRUCTIONS

Touch controls



Soft touch (<1 s) Light ON/OFF
Long touch (>1 s) Dimming from 5%-100%
Note The brightness will be memorised.

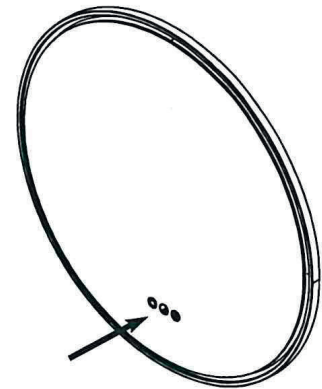


Soft touch (<1 s) CCT (Warm White, Natural White, Cold White)
Long touch (>1 s) CCT from Cold White to Warm White
Note The colour will be memorised.



Soft touch (<1 s) Steam-free ON/OFF
Note Turns off automatically after 30 minutes.

7



ELECTRICAL SAFETY

- Installation must be in accordance with the current AS/NZS wiring regulations and must be completed by a licensed electrician.
- All Radiant LED mirrors are IP44 rated.

CARE INSTRUCTIONS

- When cleaning the mirror, use a soft, damp cloth. Do not use any abrasives or solvents. Do not allow moisture to come into contact with any electrical components.