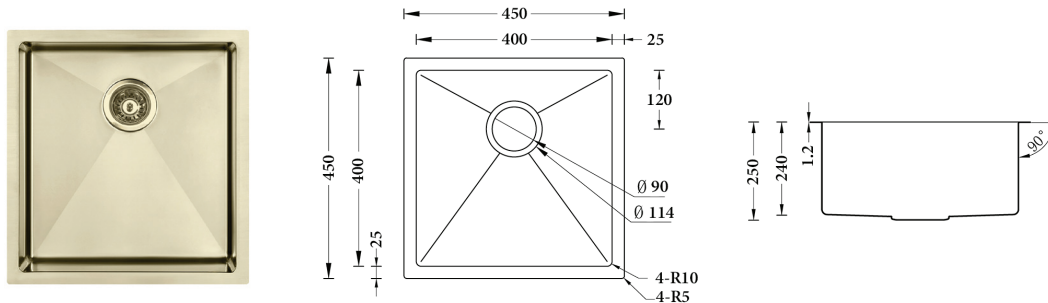


ATLAS SINK BKS-HA4545D-GLD



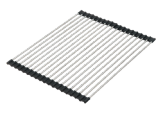
FEATURES

- Armour Steel Technology
- 1.2mm 304-grade stainless steel
- Rust and corrosion resistance
- Custom folded drainage channels
- R10 smooth radius corner
- Soundproofing pads on the bottom and sides
- Anti-condensation protection
- Polished, stain resistant surface
- Designed with a 30L capacity
- Topmount, undermount and flushmount installation options

ACCESSORIES



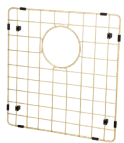
CL-5-GLD



PD-1



CB-2



SP-3940-GLD



TF-1

CARE & MAINTENANCE

Protection During Construction:

- After installation, cover the sink with plastic or a protective sheet and remove it only when all construction work is finished.
- Do not pour paint, lime water, cement, or corrosive liquids into the sink.
- Keep the area ventilated to avoid oxidation from building fumes.

First-Time Use:

- Before using, run water for 5–10 minutes to flush out debris or rust, then dry the sink with a soft cloth.

Regular Maintenance:

- Clean with mild detergent and warm water using a soft cloth or sponge. Avoid scouring pads or steel wool.
- Do not hit the sink with sharp or heavy objects or use it as a cutting board.
- Remove soap or detergent residue promptly to protect Nano or PVD coatings.
- Avoid leaving rubber mats or plastic pads in the sink; trapped moisture can cause corrosion.
- Keep away from bleach, disinfectants, or acidic/alkaline cleaners—rinse and dry immediately if contact occurs.
- Do not pour boiling water or hot oil directly; let cookware cool first. Always dry after use to prevent watermarks, rust, and stains.

NOVEEN LIMITED WARRANTY

Noveen sinks are designed and manufactured to meet the highest Australian quality standards. When properly installed and maintained, they will deliver long-lasting performance and reliability. Our stainless steel, composite sinks and troughs are covered by a Limited **Lifetime Warranty** against defects in materials and workmanship. For PVD-coloured models, the PVD coating finish is covered for 5 years. All sinks include a 1-Year Labour Warranty. During these periods, Noveen will, at its discretion, repair or replace a defective product and cover reasonable labour costs within the labour-warranty term.

A valid proof of purchase is required, and the warranty applies only to the original purchaser for residential installations. Replacement under warranty does not include freight, delivery, or installation costs beyond the 1-year labour coverage. Noveen reserves the right to inspect the product and installation prior to approving any claim, and if the original finish is no longer available, a comparable replacement will be provided.

This warranty does not cover damage from improper installation, misuse, neglect, or failure to follow the Care & Maintenance instructions. Minor scratches, wear from daily use, and deterioration caused by harsh or abrasive cleaners are excluded.